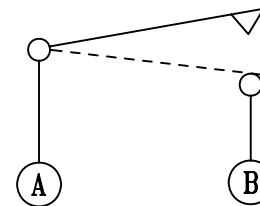
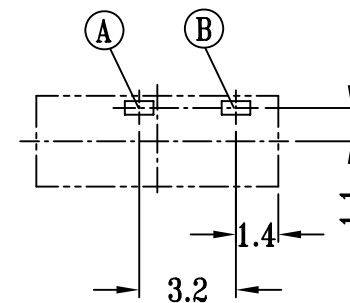
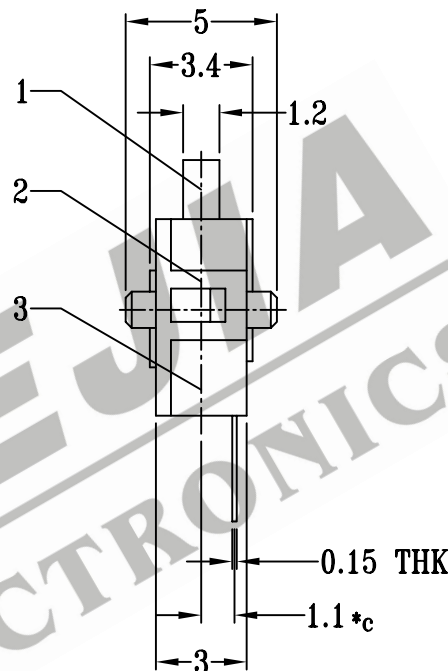
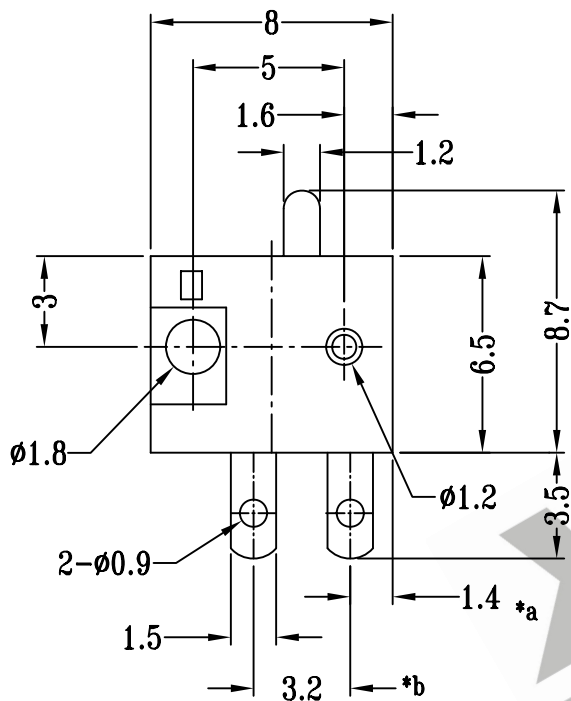


CAD FILE:



SCHEMATIC



P.C.B LAYOUT

注:带"\*"表示关键尺寸(3个)

|     |              |                 |      |                          |   |                                      |           |                           |            |       |
|-----|--------------|-----------------|------|--------------------------|---|--------------------------------------|-----------|---------------------------|------------|-------|
| 8   |              |                 |      |                          | TOLERANCE<br>UNLESS SPECIFIED           | SHENZHEN XIEJIA ELECTRONICS CO.,LTD. |           |                           |            |       |
| 7   |              |                 |      |                          |   |                                      |           |                           |            |       |
| 6   |              |                 |      |                          | WITHIN: 1.5±0.1mm<br>OVER : 1.5±0.2mm   | ISSUE                                | DATE      | DESCRIPTIONS              |            | APPD. |
| 5   | SPRING       | STAINLESS STEEL | 1    | TEMPER                   |   | TITLE : MICRO SWITCH                 | UNIT : MM | DRWG NO.: XJ-DR-MX1202-00 |            |       |
| 4   | TERMINAL A B | PBS STRIP       | 1    | Ag PLATED OVER Ni PLATED | MODEL: MX-1202                          | SCALE: 4:1                           | DWN.      | ZHOUYU                    | 2003-12-15 |       |
| 3   | CASE         | NYLON+F.G       | 1    | BLACK                    |   |                                      | CHK'D     | FANGYING                  | 2003-12-15 |       |
| 2   | COVER        | NYLON+F.G       | 1    | BLACK                    | ALL MATERIALS MUST BE COMPLIANT TO ROHS |                                      | APPD.     | KANGXINAN                 | 2003-12-15 |       |
| 1   | INSERT KNOB  | POM / PBS STRIP | 1    | BLACK / Ag CLAD          |   |                                      |           |                           |            |       |
| NO. | PART NAME    | MATERIAL        | Q'TY | FINISHING                |   |                                      |           |                           |            |       |